

PHOTO KIOSK



PS6150

Celeron® M High
Performance 15"
PHOTO KIOSK

Features and Benefits:

- Celeron® M high performance platform
- 15" LCD display with touch screen
- Flexible design for versatile applications
- Integrated thermal printers, prints
Customer receipt and order details
- Easy paper refill
- Support multimedia card reader and
DVD-ROM reader

**WEPOS
Ready**

 **PROTECH SYSTEMS**
It's the right choice

No. 24, Lane 365, Yang Guang St., Nei Hu
District, Taipei 114, Taiwan, R.O.C.

Tel: +886-2-8751-1111

Fax: +886-2-8751-1199

Email: sales@protech.com.tw

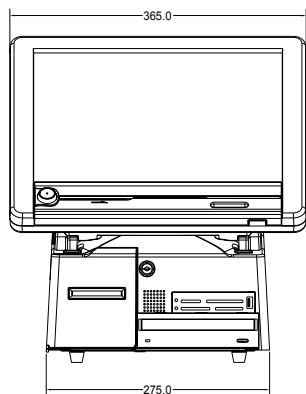
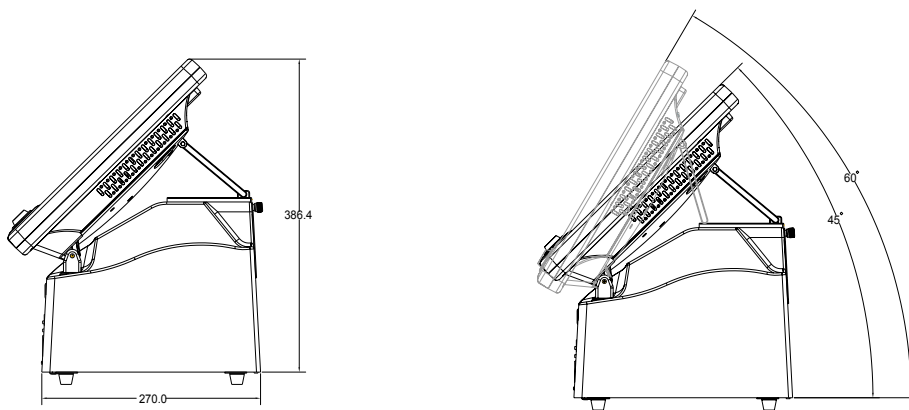
<http://www.protech.com.tw>



ISO CERTIFIED
9001 14001

PS6150

Celeron® M High Performance 15" PHOTO KIOSK

Front View**Side View**

Unit: mm

Specification**System**

CPU Support	Intel® Celeron® M 1.5GHz CPU
Memory	1 x 184pin DIMM Slot, 512MB DDR SDRAM (up to 1GB)
Core Logic	Intel® 852GM & ICH4 support FSB 400MHz CPU
Network	10/100Base-T Fast Ethernet
Audio	AC '97 Codec with internal mono speaker (2watt x 1)
Power Supply	180W 1U ATX power supply (w/o Printer) 250W 1U ATX power supply (with Printer)
Dimension (WxDxH)	365 x 270 x 386.4 mm (14.37" x 10.63" x 15.21")
O.S. Compliant	Windows 2000 / XP / XPE, WEPOS

Storage

HDD	1 x 3.5" HDD (standard 80GB)
CF	Bootable Compact Flash slot for CF type I/II storages

I/O Ports

USB	3 x USB 2.0 ports
Serial Ports	2 x DB-9, +5V/12V Selectable
Parallel	1 x DB-25 parallel port (SPP / EPP / ECP)
PS/2	2 x PS/2 ports
LAN	1 x RJ-45 interface
Audio	1 x Line-out audio jack
VGA	1 x DB-15 VGA interface

Display

LCD	15" TFT LCD
Max. Resolution	1024 x 768
Brightness	250 cd/m ²
Touch Screen	5-wire Analog resistive
Viewing Angle	0 ~ 65 degree
Display Tilt Angle	45 ~ 60 degree
Protection	Water Proof Front Panel (w/o MSR)

Environment

EMC & Safety	CE, FCC, UL
Operating Temp.	0° ~ 35°C
Storage Temp.	-20° ~ 60°C
Humidity	20% ~ 90%

Peripherals (Optional)

Thermal receipt printer

All of trademarks and brand names are the property of their owners. Trademark "Protech" is the property of Protech Systems Co., Ltd. All information contained in this document is subject to change without any prior notice. This catalog is copyrighted in MAY, 2007