

PA-7225

NEW



17" Fanless Slim POS Terminal with Intel® Celeron® J1900 CPU



Features

- Intel® Celeron® J1900, Fanless & Slim Design
- 17" touch display with optional Web Cam
- Front panel with IP65 design
- HDD easy maintenance design
- Optional 2nd Display and VFD
- Optional MSR, i-Button & Fingerprint & RFID



Specifications

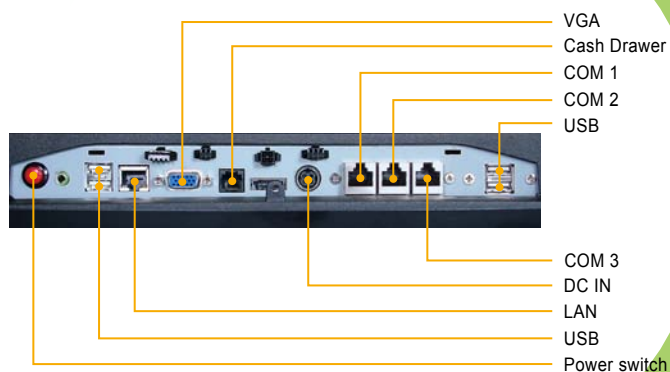
System	CPU Support	Intel® Celeron® J1900
	Memory	DDR3L SO-DIMM (1 slot, up to 8GB)
	Network	10/100/1000 Base-T Fast Ethernet
	Power Supply	72~120Watt power adaptor
	Audio	2W speaker
	System Weight	with power adaptor approx. 9 kg
	Dimension	410 x 428 x 227 mm
	O.S. Support	WIN8 / POSReady7
Storage	SATA	1 x 2.5" HDD or SSD
	USB	5 x USB
I/O Ports	Serial Port	3 x RJ45 (+5V/12V selectable)
	LAN	1 x RJ45
	VGA	1 x DB15
	Line Out	1 x phone jack
	Cash Drawer	1 + 1(option, with Y cable) x RJ11 (+12V or +24V selectable)
	DC-in	1 x 4pin DC Power Jack
	Peripheral	Customer Display
Printer		2" or 3" easy loading thermal printer with Auto cutter
MSR & iButton		JIS-I or II, ISO Track1+2+3 (PS/2 interface)
2 nd Display		8" or 10.4" LCD
Fingerprint		8-bit grayscale, reader
RAID		RAID 1
Display	LCD	17" TFT LCD
	Max. Resolution	1280 x 1024
	Brightness	350 cd/m ²
	Touch Screen	Bezel-Free 5-wire Analog resistive or Projected Capacitive
	Tilt Angle	24 ~ 30 degrees
Environment	EMC & Safety	CE / FCC
	Operating Temp.	0 ~ 35° C
	Storage Temp.	-5 ~ 60° C
	Humidity	20 ~ 90%

*All information contained in this document is subject to change without prior notice. Please log on www.protech.com.tw to acquire latest information

Highlights



System I/O Ports



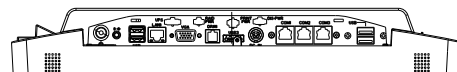
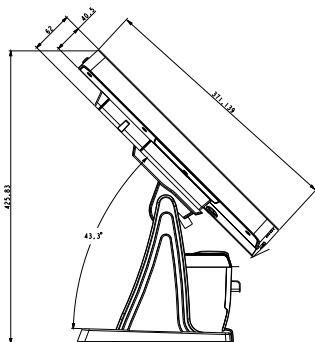
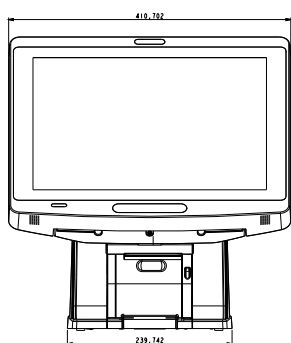
Ordering Information

Order No	Description
PA-7225RC-A0B	PA-7225 barebone, Intel® 17" Celeron® J1900 POS /black /1280x1024 LCD, Resistance TouchScreen
PA-7225RZ-21A	DDR3L 2GB memory/ 2.5" HDD
PA-7225RZ-33B	MSR, i-button module
PA-6151RZ-41B	VFD module
OS	POSReady7,WIN8

Applications

- Hospitality
- Retail
- Foodservice

Dimensions



unit: mm

Protech Systems Co., Ltd.

No. 24, Lane 365, Yang Goang Street,
Nei Hu District Taipei 114, Taiwan R.O.C.
TEL: +886-2-8751-1111

Protech Technologies Inc.

950 Fee Ana St, Suite B
Placentia, CA 92870
TEL: +1-714- 996-7200

Protech Japan Co., Ltd.

OSK Bldg, 6F, 6-25-14, Minami-ohi
Shinagawa-ku, Tokyo, 140-0013
TEL: +81-3-5753-8411

PROX SYSTEMS Germany GmbH

Weststrasse 20a, 40721 Hilden
düsseldorf, Germany
TEL: +49 (0) 2103-41898-18